

Pallet Planter Instructions

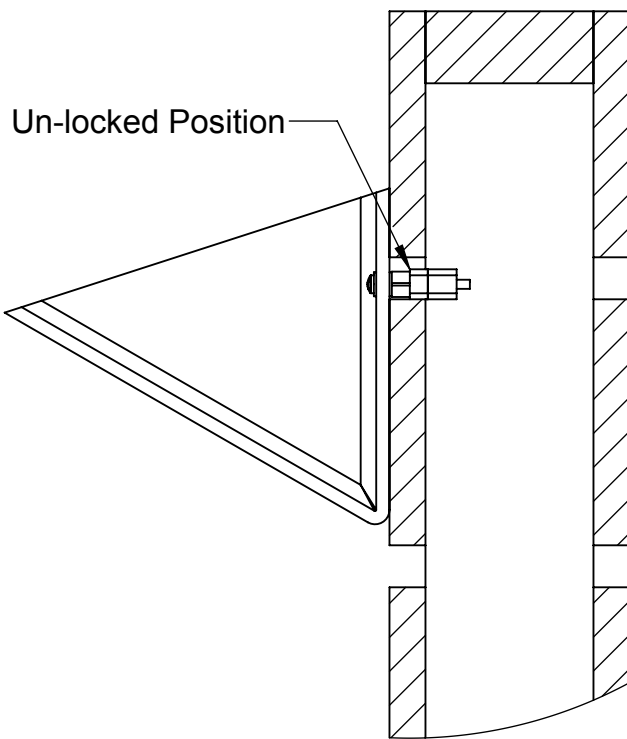
Questions? Call Monday - Friday, 8AM - 5PM EST 800-622-1331

Installation video at www.waddellfurniture.com

Installation Instructions

1. Prior to install, ensure the Pallet Planter Mounts are in the un-locked position.
2. Slide the Pallet Planter Mounts through the Pallet unit slats.
3. When installing multiple planters, install planters into every other slat.
4. Use a phillips head screw driver to turn the mounts in a clockwise direction until you feel a positive click.

Step 2 Detail



Step 4 Detail

